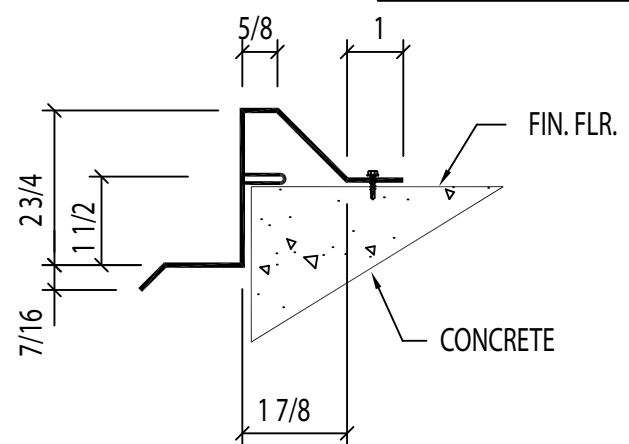


- NOTE:
1. USE OF SHEETING NOTCH IN CONCRETE IS NOT RECOMMENDED.
  2. ATTACHMENT OF TRIM TO CONCRETE IS BY OTHERS.
  3. FORMED BASE TRIM IS PROVIDED IN 20'-0 LENGTHS (STD.), FIELD CUT AS REQ'D.

FORMED BASE TRIM TYPICAL LAYOUT



SECTION A - FORMED BASE

FORMED BASE TRIM DETAILS

DRAWING NO.

**D60**