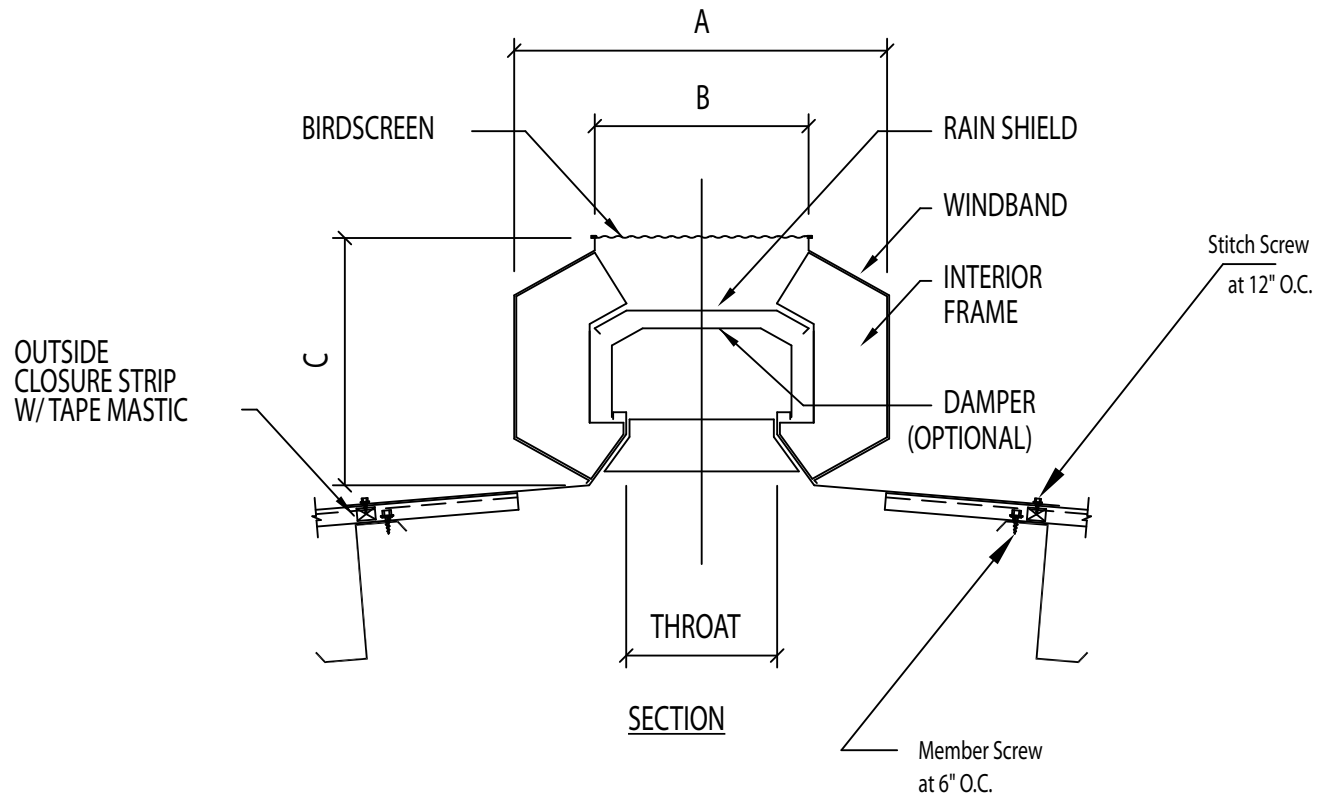


THROAT	GA.	A	B	C
9"	26	22	12 3/4	15 1/4
12"	26	28 1/4	17 1/4	19 1/2



**CONTINUOUS RIDGE VENTILATORS**

DRAWING NO.

**D54**