

STITCH SCREWS AT 12" O.C.
WITH CONTINUOUS TAPE
SEALANT UNDER TRIM

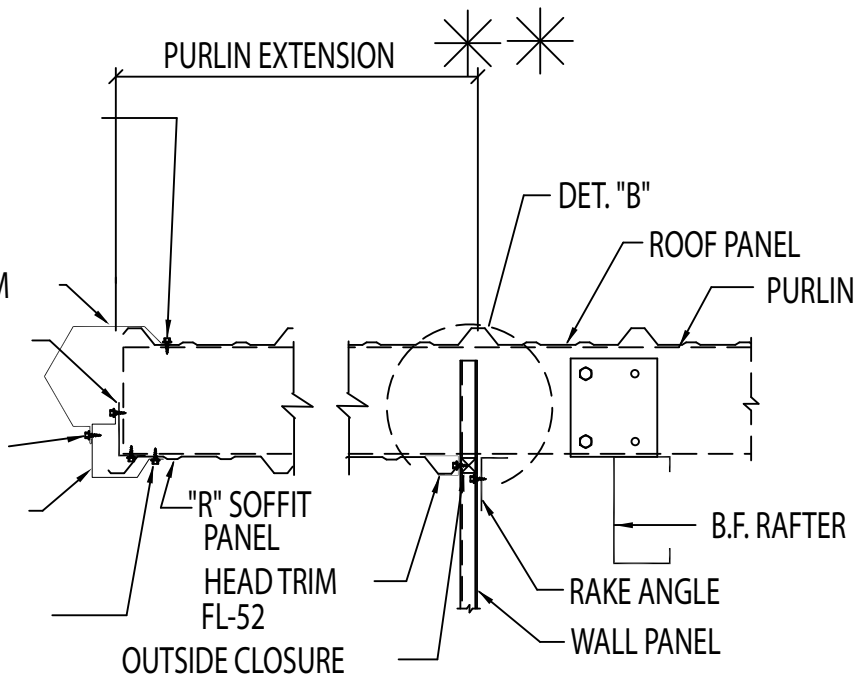
* RAKE TRIM

RAKE ANGLE

STITCH SCREWS
AT 12" O.C.

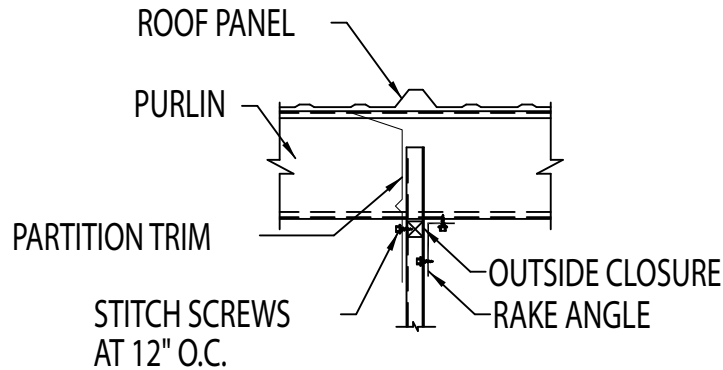
RAKE SPACER
TRIM FL-79

STITCH SCREWS
AT 12" O.C.

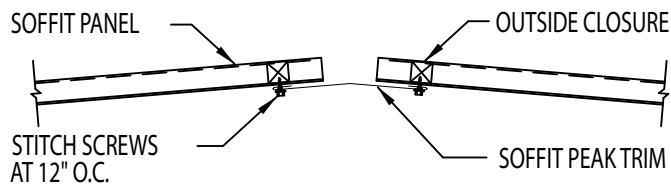


ROOF EXTENSION
WITH SOFFIT PANEL

* * DIMENSIONS WILL VARY WHEN USED IN
CONJUNCTION WITH AN EAVE CANOPY



DETAIL "B"
AT GABLE W/O SOFFIT



SECTION THRU SOFFIT
AT PEAK

ROOF OVERHANG DETAILS

* NOTE: TRIM PROFILE MAY VARY.

DRAWING NO.

D27A