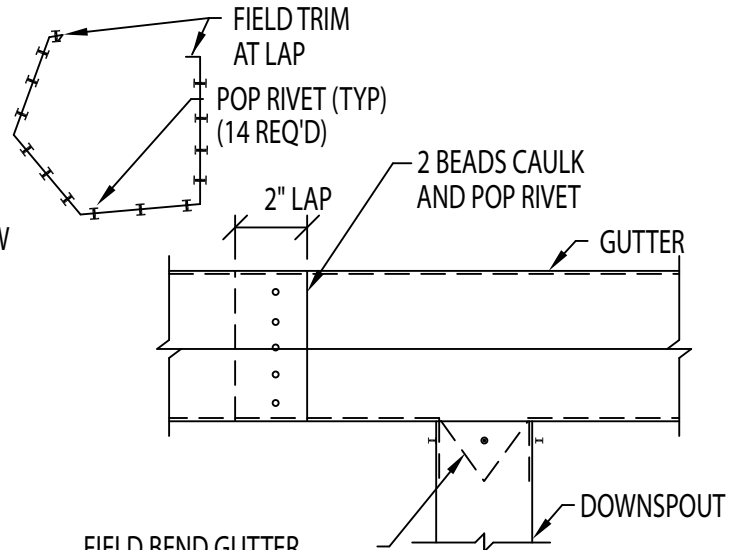
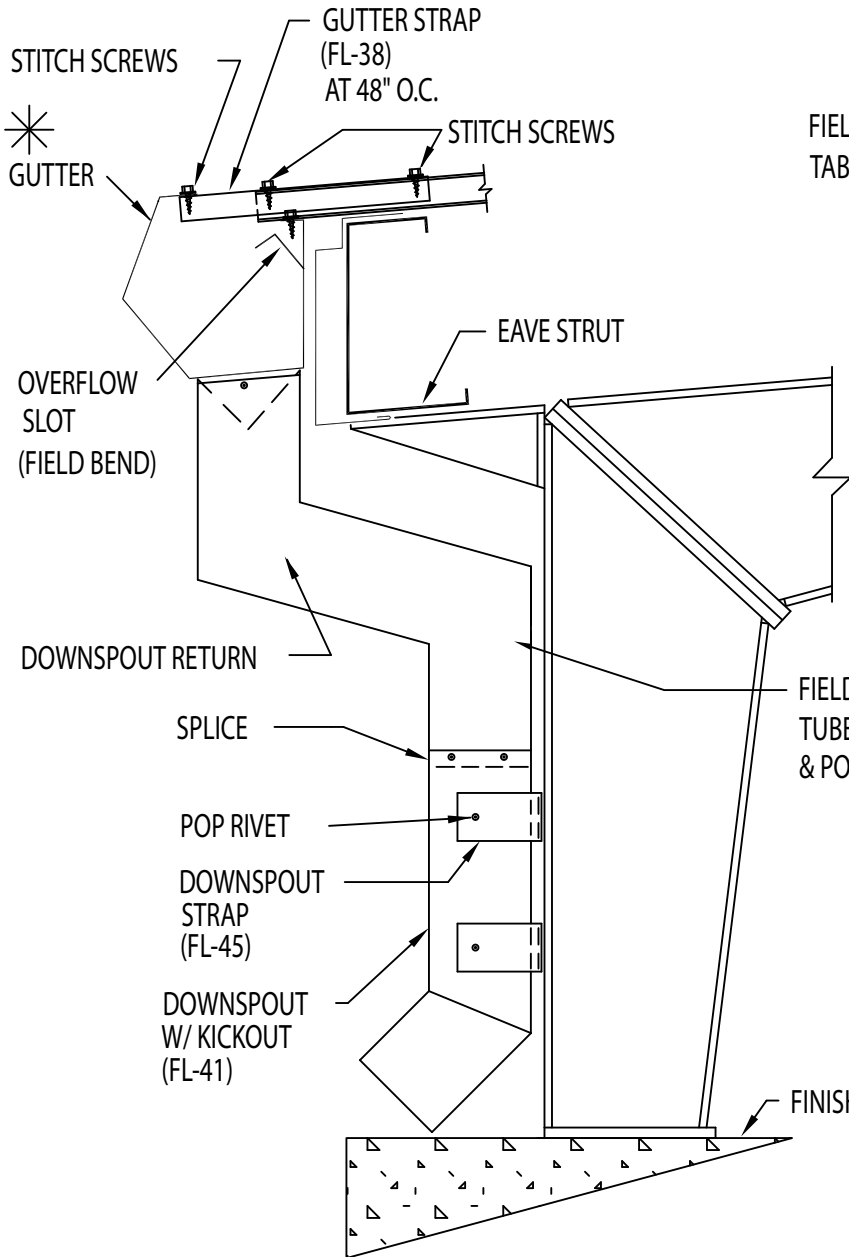


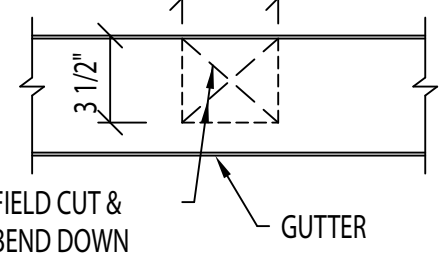
DOWNSPOUT ATTACHMENT TO WALL PANEL



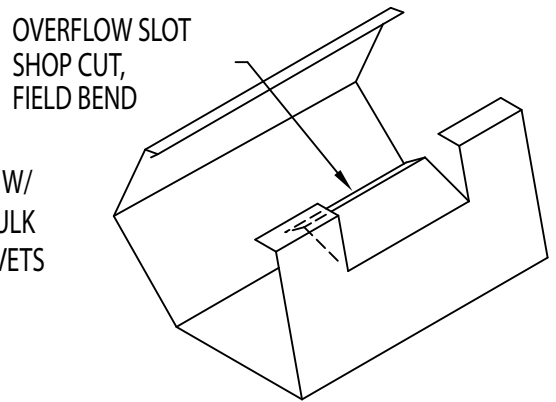
FIELD BEND GUTTER TABS INTO DOWNSPOUT



DOWNSPOUT DETAIL AT OPEN WALL



DOWNSPOUT TO GUTTER DETAIL



D.S. STRAP QUANTITY	EAVE HEIGHT QUANTITY
10'-0	2
12'-0	2
14'-0	3
16'-0	3
20'-0	4
25'-0	5

GUTTER AND DOWNSPOUT DETAIL AT OPEN WALL

* NOTE: TRIM PROFILE MAY VARY

DRAWING NO.

D10