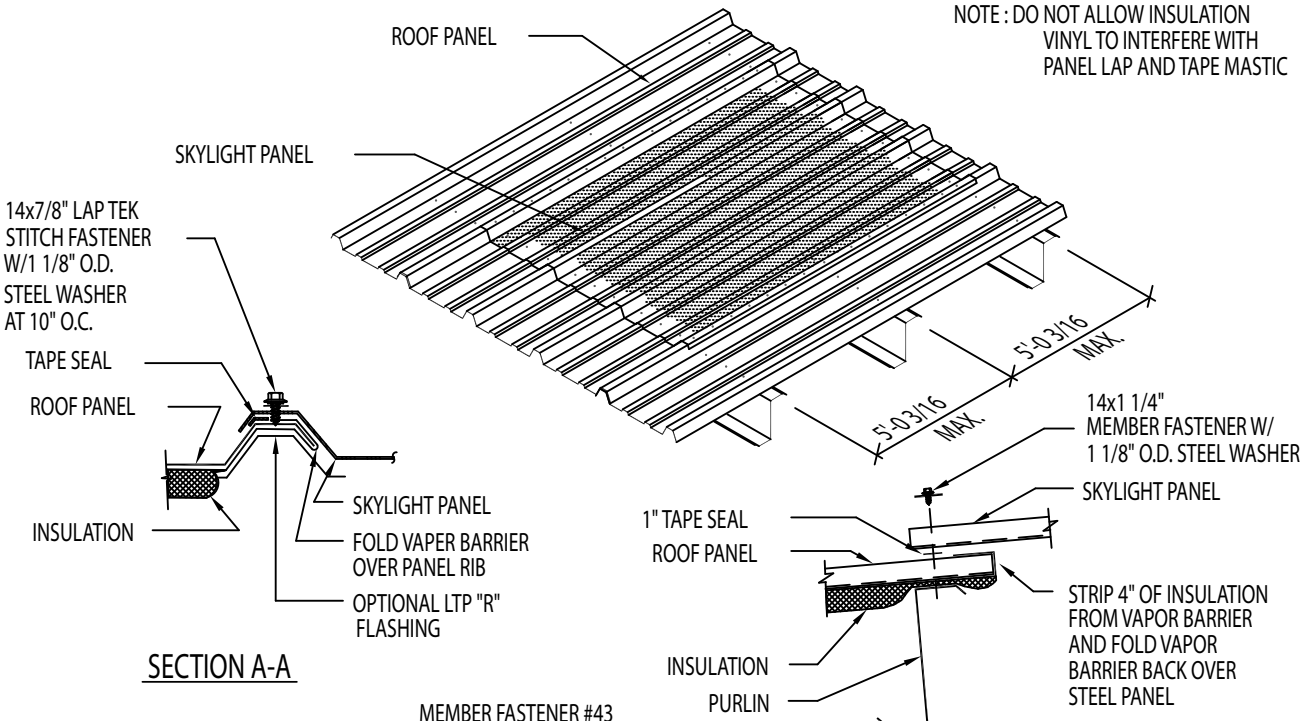
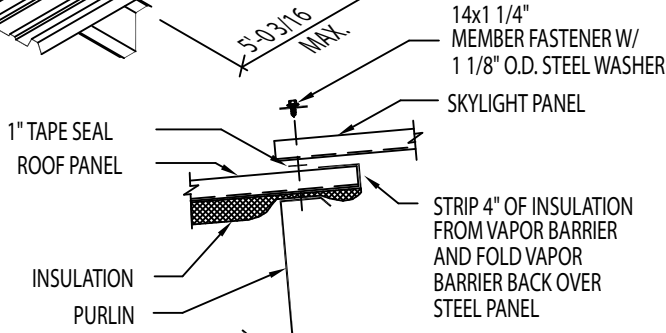


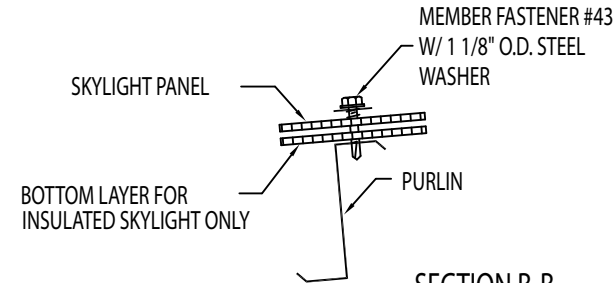
NOTE : DO NOT ALLOW INSULATION VINYL TO INTERFERE WITH PANEL LAP AND TAPE MASTIC



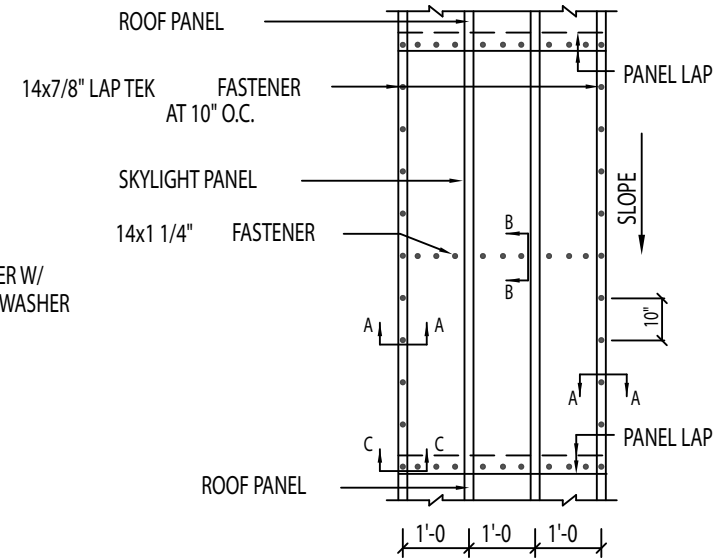
SECTION A-A



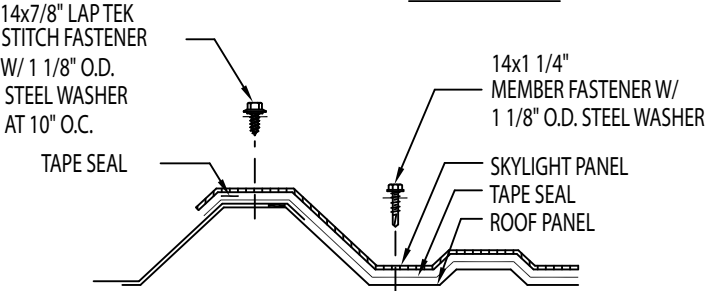
END LAP WITH INSULATION



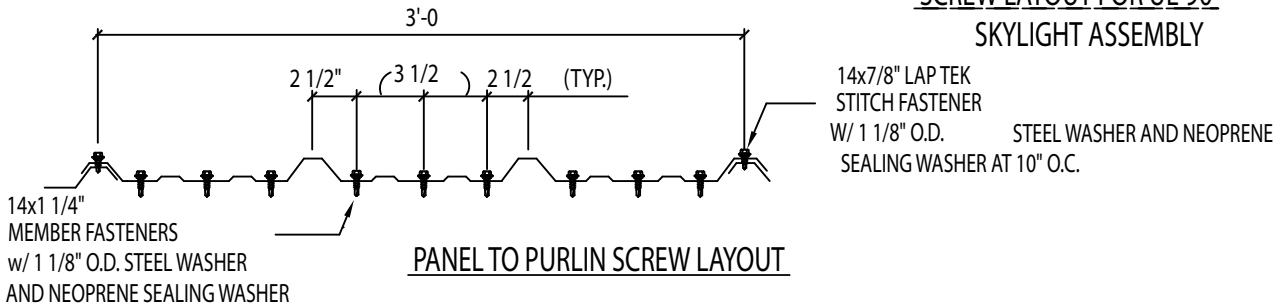
SECTION B-B



SCREW LAYOUT FOR UL-90 SKYLIGHT ASSEMBLY



SECTION C-C



PANEL TO PURLIN SCREW LAYOUT

U.L. (CLASS 90) SKYLIGHT ASSEMBLY CONSTRUCTION NO. 542

DRAWING NO.

D3

REV. DATE: 11-23-05 K.C.